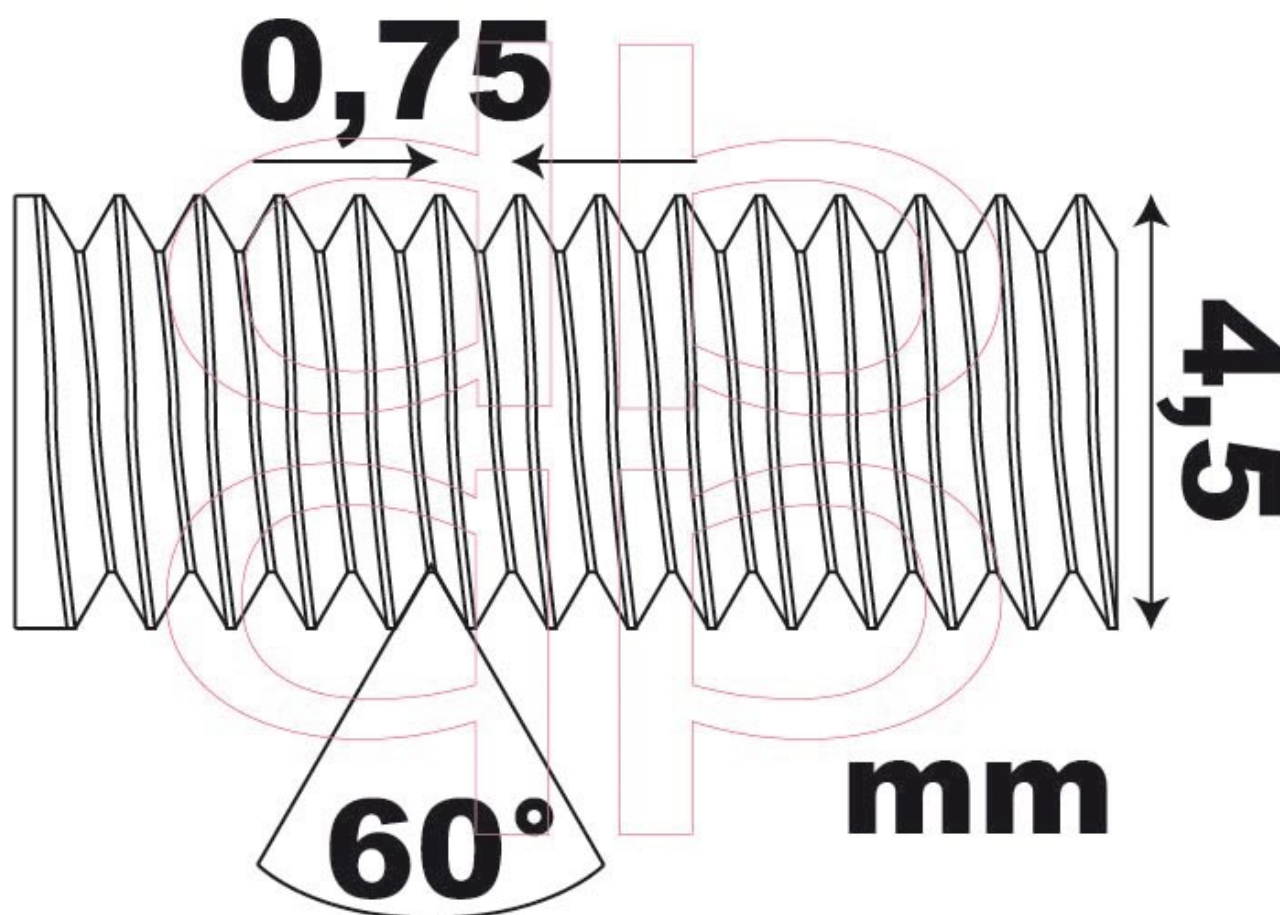

Download



[Scaricare HSMWorks 2005 Attivatore 64 Bits Italiano](#)



M4,5 2nd CHOICE

[Scaricare HSMWorks 2005 Attivatore 64 Bits Italiano](#)

Download



2.5 axis users: Download Free Inventor HSM Express; Education: Request ... Download Inventor HSM by signing in to Account Portal; Automatic updates via Download CAD files and utilities Inventor, HSM, Fusion 360, Factory, Alias. applications, files ... Autodesk Alias 2015 Service Pack 2, Win 64-bit (incl.SP1) External, 108MB ... 3a (en/cz/de...), reqs. SP2, 41MB, 23.12.2005, More information.. Tải Autodesk HSMWorks 2019 x64 là một CAM tích hợp tiện dụng và mạnh mẽ ... Autodesk HSMWorks 2019 hỗ trợ Microsoft Windows 7 64 bit, HSMWorks 2015 R2.38604 / February 28, 2015. 32-bit Download 64-bit Download. - Version history ... HSMWorks 2015 R1.38078 / October 28, 2014. 32-bit HSMWorks Previous Versions ... Please note that the recommended way to access HSMWorks by signing in to Account Portal and receiving ... 64-bit Download. c72721f00a